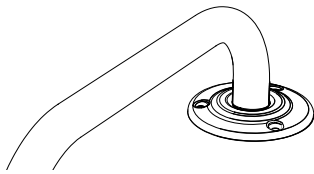
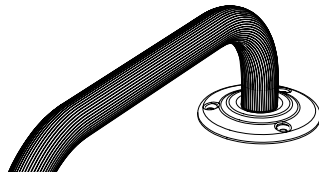


# Metal Grab Rails

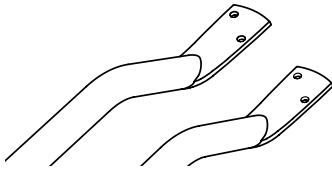
## Installation Instructions and User Care Instructions



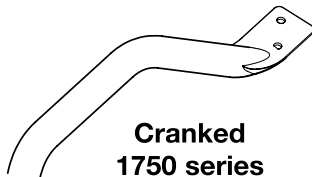
**Welded Flange  
1100 series**



**Bolted Flange  
1300 series**



**Flat End Steel 1000 series  
Stainless Steel 1200 series**



**Cranked  
1750 series**



**Newel  
1740 series**

Colour: White RAL 9016 / Brown RAL 8015

Internal & External Building Use

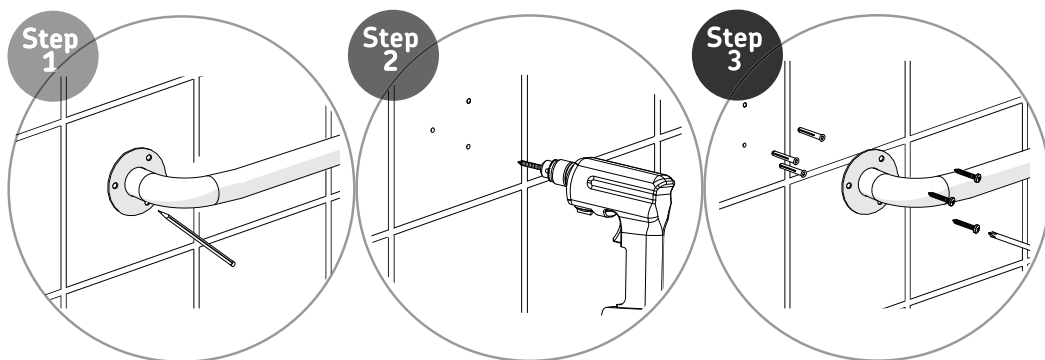
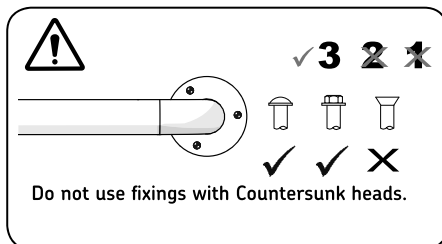
Installer- please read all instructions carefully before installation and leave these instructions with the end user for future reference

# Installation Instructions

Mild Steel Grab Rails are recommended for all internal applications except bath and shower rooms. Stainless Steel Grab Rails are recommended for all applications, both internal and external. If installing a metal rail into a showering or bathing area the metal grab rail may need to be earthed to conform with IEE Wiring Regulations for metallic components within

bathrooms. All AKW Grab Rails are designed and tested to meet the requirements of BS EN 12182. These recommendations are suggested to promote optimum product life. Rails may be installed in other locations but optimum product life may not be achieved. Consult a fixing manufacturer, stating the type and construction of surface and the version of grab rail if you are unsure of which type of fixing to use.

AKW are unable to specify the type of fixing to be used simply due to the vast number of possible types and conditions of surfaces to which the grab rail can be attached.



(1) Mark the hole position of the mounting bracket on the wall. Ensure the grab rail is level.

(2) Drill the holes with a suitable wall / tile drill piece. Use a piece of masking tape to mark the wall and drill through, protecting the tile from splintering.

(3) Use suitable wall fixings to secure the mounting bracket to the wall. Do not over-tighten fixings and do not use countersunk screws.

# User Care Instructions

AKW grab rails are designed for general domestic use as an aid to the movement of a person about a normal dwelling place.

They are intended to be used to provide gripping or handle positions around doorways, stairwells, showers, baths and other similar applications.

Mild Steel Grab Rails are recommended for all internal applications except bath and shower rooms. Stainless Steel Grab Rails are recommended for all applications, both internal and external.

If installing a metal rail into a showering or bathing area the metal grab rail may need to be earthed to conform with IEE Wiring Regulations for metallic components within bathrooms.

The grab rails must only be used for the tasks it is intended to perform. **Do not use** it to tie objects to or hang items from or even secure other items to it as this may have serious detrimental effects on the performance and safety of this product. Grab rails should be checked as part of a planned maintenance programme and any rails showing evidence of damage or misuse must be replaced.

## Keeping your AKW Grab Rail clean

This product should be cleaned periodically using normal domestic bathroom cleaning materials.

**After cleaning always** rinse with water then wipe thoroughly with a damp cloth to remove any cleaning material residues before drying off.

**Do not use** strong or concentrated acidic, alkaline or other cleaning materials as these may discolour or otherwise damage the product. AKW **do not approve or recommend** autoclave cleaning due to the damage this can cause to the special engineering materials used in the construction of this product.

## Disinfecting

Where disinfecting is necessary, standard procedures for disinfecting equipment should be used with due care and attention taken of the warnings concerning possible effects of aggressive chemicals on plastics or powder coating.

## Packaging

All packaging should be disposed of in accordance with local recycling regulations.

### Product specification and data information

This product is designed for a single location installation.

Maximum intermittent central loading:

1100 & 1300 Series 23.5 stone (150kg)

1000 & 1200 Series 19.5 stone (125kg)

1740 & 1750 Series 19.5 stone (125kg)

Weight Capacity refers to the grab rail only.

Fixings and retention in the mounting surface are the responsibility of the installer.

**Standard operating temperature range** : -5°C to +35°C.

### Materials of Construction:

Rails & Flanges : Mild Steel or Stainless Steel dependent on model.

Finish: Polyester epoxy resin powder coated or plastic dipped, tested to ASTM B117-87 96 hour salt spray test.

## Important Safety Information



**ALWAYS** Attach this grab rail to a surface using fixings matched to the grab rail, the type of surface and the loading conditions to be applied.



**ALWAYS** read the installation instructions before installing this product and read the end user care instructions.



**ALWAYS** match the fixings to the holes in the grab rail and use all fixing holes.



**ALWAYS** have grab rails installed by a trained and experienced skilled craftsman.



**NEVER** make fixing holes larger as this will reduce the strength of the grab rail and invalidate any warranty or stated load rating.



**NEVER** install countersunk head fixings.

**NEVER** misuse the rail other than its intended purpose. This is an aid to manual movement only.

**DO NOT** place matches or cigarettes on or near this product.

These instructions are provided to advise the minimum standards of installation and recommends what is the best practice for the installation. Due to the very wide variability of possible installation conditions AKW cannot provide all circumstances for the installation. AKW cannot accept any liability in connection with this information or its use.

This information is provided on the condition that the person receiving it shall make their own tests to determine the suitability for their particular purpose. Failure to install this AKW product in accordance with supplied instructions or the making of unauthorised modifications will invalidate any warranty and may affect product safety. None of the foregoing affects your statutory rights.